

ELECTRO SAILPLANE

Astra V



Manufactured by:

TOPMODEL CZ

679 05 HABRŮVKA 100 - CZECH REPUBLIC

www.topmodelcz.cz

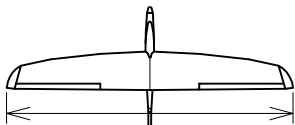
e-mail: info@topmodelcz.cz

Order N°: 02080

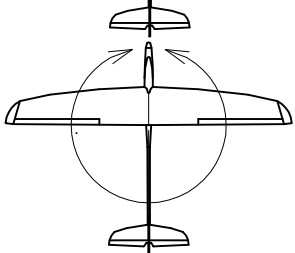
Radio system you'll need :



1125mm



2150mm

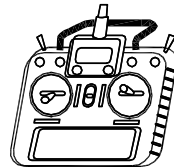


36,4dm²

17,9-20,6g/dm²



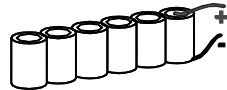
0,65 - 0,75 kg



5channel
with
6 servos



Speed 400 + 3,8:1
Mega ACn 16/15/5-7
Feigao B20-15L+4:1



7 Nixx 0,5 - 1,1Ah
2S Lixx 1,5 - 2Ah



MH 32 mod.

*Není-li uvedeno jinak, všechny
neoznačené míry jsou v milimetrech
UNLES STATED, ALL DIMENSIONS
ARE IN MILIMETERS*

Astra V

GB - USA Parts list

| Part # | Part name | Material, dimensions | Loose | In bag |
|--------|----------------------|--|-------|--------|
| | building instruction | | 01 | - |
| 1A | fuselage front part | fibreglass | 01 | - |
| 1B | fuselage tube | carbon tube | 01 | |
| 1-1 | engine mount | fibreglass 2 mm | - | 01+01 |
| 1-2 | servo tray V-tail | plywood 3 x 41 x 35 mm | - | 01 |
| 1-3 | link support | balsa 3 x 6 x 40 mm | - | 01 |
| 1-4 | air hole cover | ABS plastic | - | 01 |
| 1-6 | tail skid | fibreglass 1 mm | - | 01 |
| 2 | wing | balsa assembly | 02 | - |
| 2-1 | aileron | balsa assembly | 02 | - |
| 2-11 | flap | balsa assembly | 02 | - |
| 24 | wing joiner | carbon tube \varnothing 7/5 x 160 mm | - | 01 |
| 2-2 | wing fixing screw | nylon screw M 4 x 15 mm | - | 02 |
| 2-21 | centering pin | fibreglass \varnothing 2 x 20 mm | - | 01 |
| 2-22 | screw mount | plastic 0,7 x 20 x 37mm | - | 01 |
| 2-25 | centering pin | fibreglass \varnothing 3 x 40 mm | - | 02 |
| 2-3 | captive nut | M4 | - | 02 |
| 2-31 | nut mount | plywood 3 x 20 x 35 mm | - | 01 |
| 2-41 | wing servo cover | ABS plastic | - | 04 |
| 2-5 | aileron-flap pushrod | piano wire M2 x 31 mm | - | 04 |
| 2-7 | clevis | MPJ 2110 | - | 08 |
| 2-8 | aileron horn | fibreglass plate 1 mm | - | 02 |
| 2-81 | flap horn | fibreglass plate 1 mm | - | 02 |
| 3 | V-tail | balsa assembly | 01 | - |
| 3-5 | V-tail link | bowden \varnothing 2 mm L=810mm, piano wire \varnothing 0,8 mm L= 860mm | 02+02 | - |
| 3-6 | threaded link | brass MPJ 2764 | - | 01 |
| 3-8 | horn | fibreglass plate 1 mm | - | 01 |
| 6 | canopy | fibreglass | 01 | - |
| 6-2 | canopy fixing | wood screw \varnothing 2,9 x 6,5 mm | - | 01 |
| 7 | stickers | | 01 | |

RECOMMENDED RC EQUIPMENT:

Radio : 5 channel + 7 channel (receiver)

Servos : 6 x pico servo (5 – 10g)

Motor : SPEED (MIG) – 400 / 6V + gearbox 3,8 :1 (Mega ACn 16/15/5)

Controller: JETI JES 20, JETI SPIN 22

ATTENTION:

This model construction kit is not a toy and is not suitable for children under the age of 14.

Incorrect use of this material could cause material damage or person injury. You are fully responsible for your actions when you use this model.

Fly at a safe distance from occupied zones. Be sure that no one else is using the same frequency as you.

Before first take-off check up please if model aeroplane parts aren't crooked.

The reparation is possible through the use of hot-air dryer.

Manufactured by:

TOPMODEL CZ

679 05 HABRŮVKA 100 - CZECH REPUBLIC

www.topmodelcz.cz

e-mail: info@topmodelcz.cz

Astra V

| Položka | Název dílu | Materiál, rozměr | Voln / ks | Balí ek/ ks |
|---------|-------------------------|---|-----------|-------------|
| | montážní návod | | 01 | - |
| 1A | trup gondola | laminát | 01 | - |
| 1B | nosník ocasních ploch | uhlík | 01 | |
| 1-1 | motorová péřážka | sklotextit 2 mm | - | 01+01 |
| 1-2 | držák serva SOP + VOP | p ekližka 3 x 41 x 35 mm | - | 01 |
| 1-3 | držák bowden | B 3 x 6 x 40 | - | 01 |
| 1-4 | krytka chlazení | ABS | - | 01 |
| 1-6 | ostruha | sklotextit 1 | - | 01 |
| 2 | k ídlo | balsa konstruk ní | 02 | - |
| 2-1 | k idélko | balsa | 02 | - |
| 2-11 | vztlaková klapka | balsa | 02 | - |
| 24 | spojka k ídla | uhlík Ø 7/5 x 160 mm | - | 01 |
| 2-2 | uchycení k ídla | šroub polyamid M 4 x 15 mm | - | 02 |
| 2-21 | areta ní kolík | laminát Ø 2 x 20 mm | - | 01 |
| 2-22 | podložka šroub | plast 0,7 x 20 x 37mm | - | 01 |
| 2-25 | areta ní kolík | laminát Ø 3 x 40 mm | - | 02 |
| 2-3 | uchycení k ídla | matice AL. M4 | - | 02 |
| 2-31 | podložka matice | p ekližka 3 x 20 x 35 | - | 01 |
| 2-41 | krytka serva | ABS folie | - | 04 |
| 2-5 | táhlo k idélka a klapky | ocel M2 x 31 | - | 04 |
| 2-7 | koncovka táhla | MPJ 2110 | - | 08 |
| 2-8 | páka k idélka | sklotextit 1 mm | - | 02 |
| 2-81 | páka klapky | sklotextit 1 mm | - | 02 |
| 3 | OP | balsa | 01 | - |
| 3-5 | táhlo OP | bowden Ø2 mm L=810mm, ocel drát Ø0,8 mm L= 860mm | 02 + 02 | - |
| 3-6 | koncovka táhla | MPJ 2764 | - | 01 |
| 3-8 | páka | sklotextit 1 mm | - | 01 |
| 6 | kabina | laminát | 01 | - |
| 6-2 | uchycení kabiny | vrut Ø2,9 x 6,5 mm | - | 01 |
| 7 | obtisky | | | |

DOPORU ENÉ P ÍSLU NSTVÍ:

RC souprava : 5 kanál + 7 kanál p ijíma

Serva : 6 x piko (5 – 10g)

Motor : SPEED (MIG) – 400 / 6V + p evodovka 3,8 :1 (Mega ACn 16/15/5)

Regulátor: JETI JES 20, JETI SPIN 22

Před prvním startem zkontrolujte jestli nejsou díly modelu zkroucené.
Náprava je možná pomocí horkovzdušné pistole.

Manufactured by:

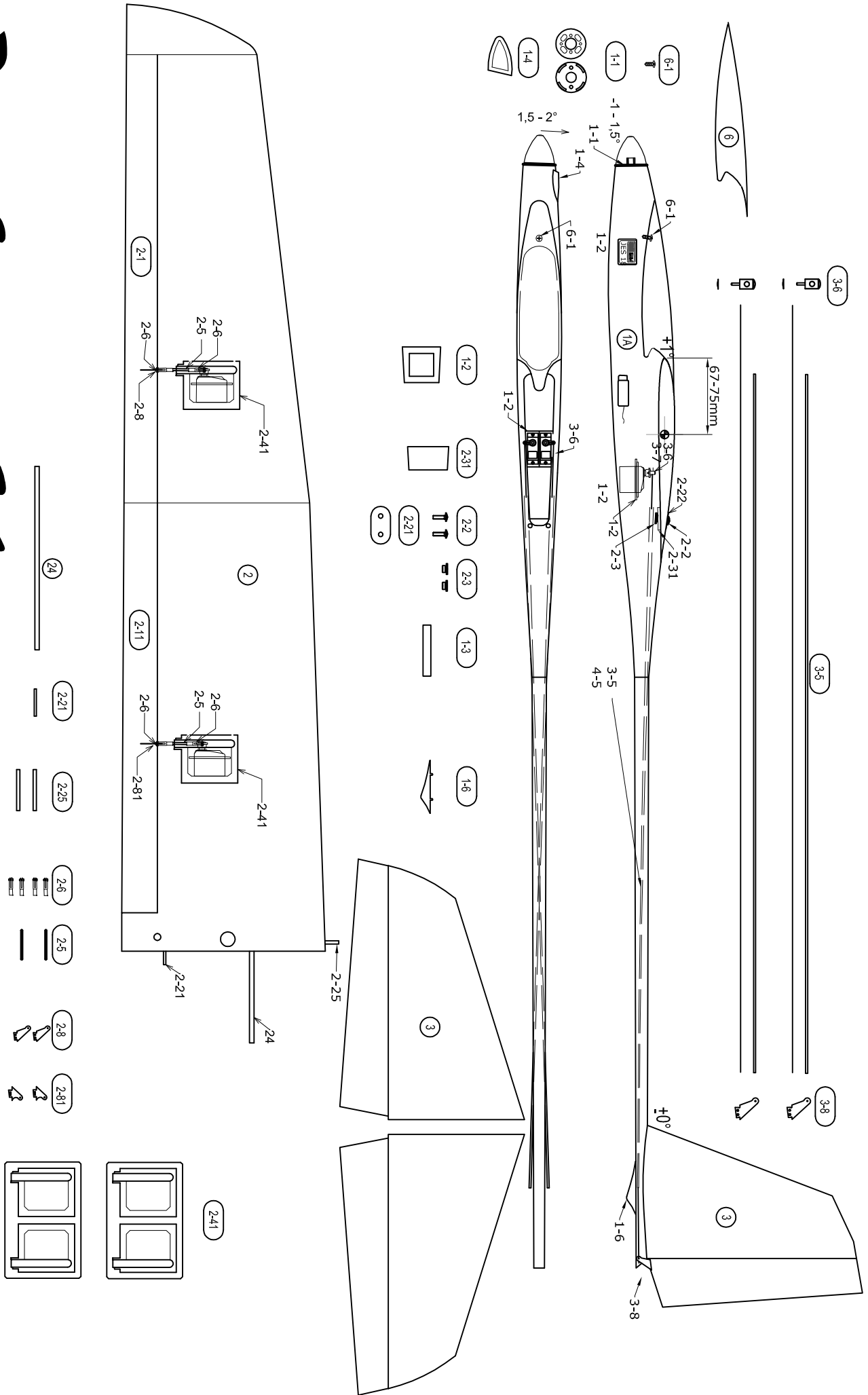
TOPMODEL CZ

679 05 HABRŮVKA 100 - CZECH REPUBLIC

www.topmodelcz.cz
e-mail:info@topmodelcz.cz

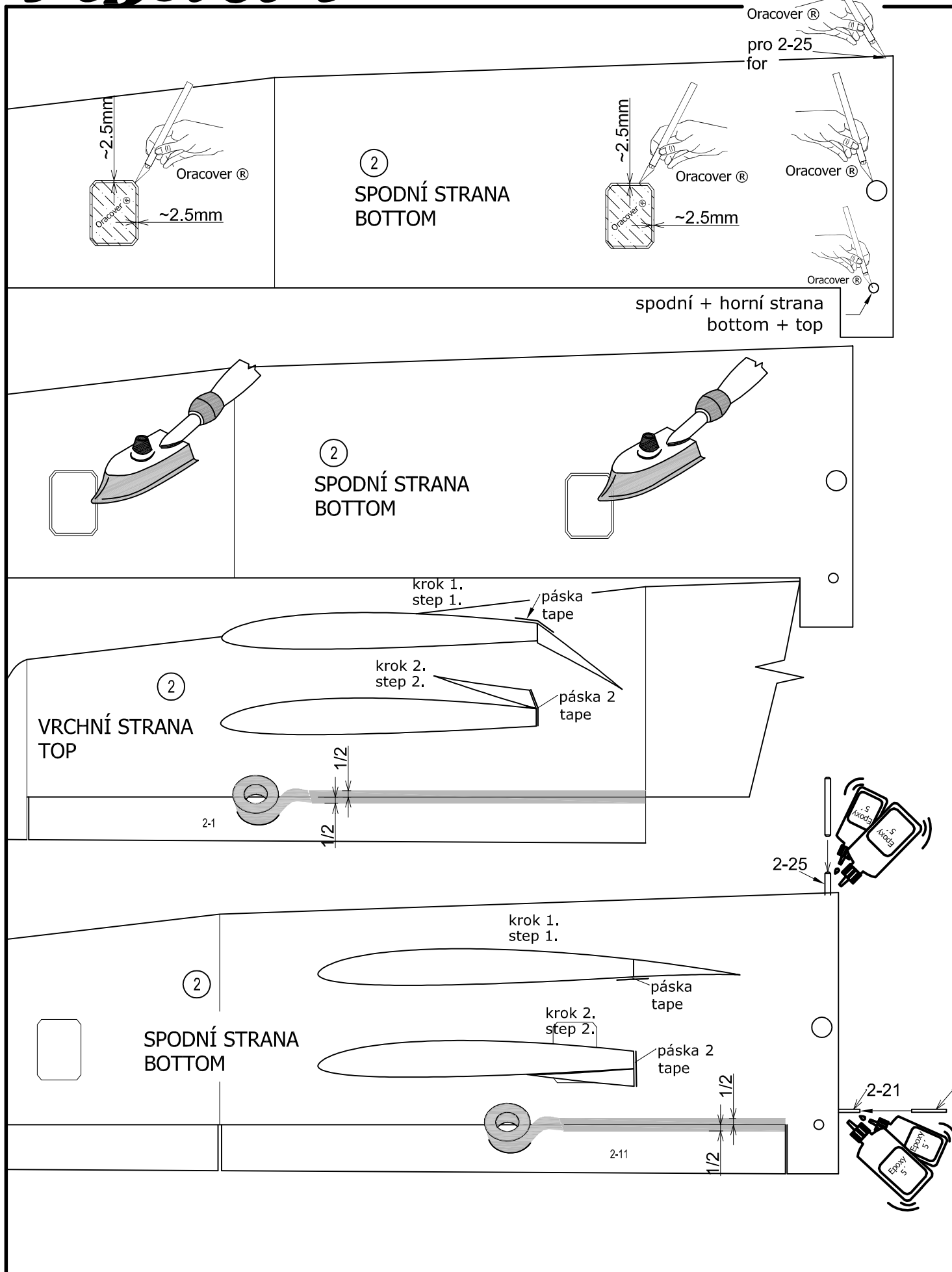
Astrov

© I. 2009 TOPMODEL CZ Manufactured by TOPMODEL CZ s.r.o. 679 05 HABRŮVKA 100 - Better made in the Czech Republic
 www.topmodelcz.cz e-mail: info@topmodelcz.cz



TOPMODEL CZ

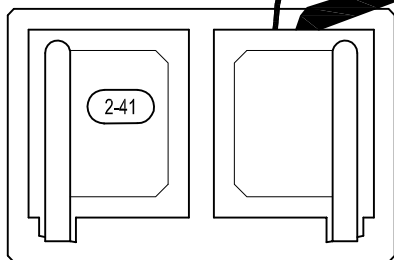
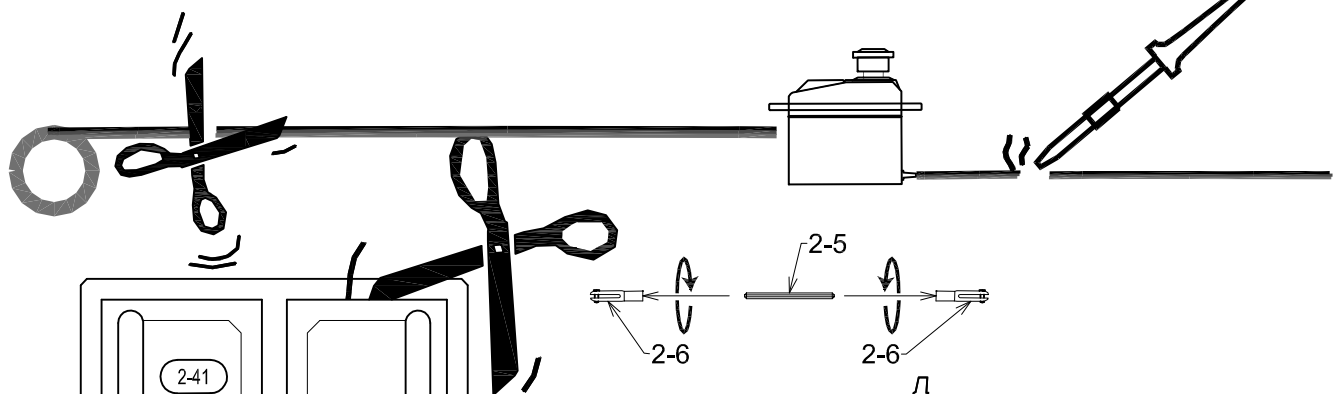
Astra V



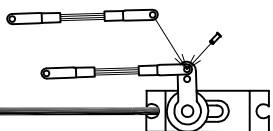
Astra V

pro servo křidélek ~ 540mm
for aileron servo

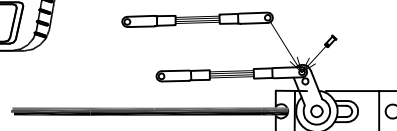
pro servo klapek ~ 200mm
for flaps servo



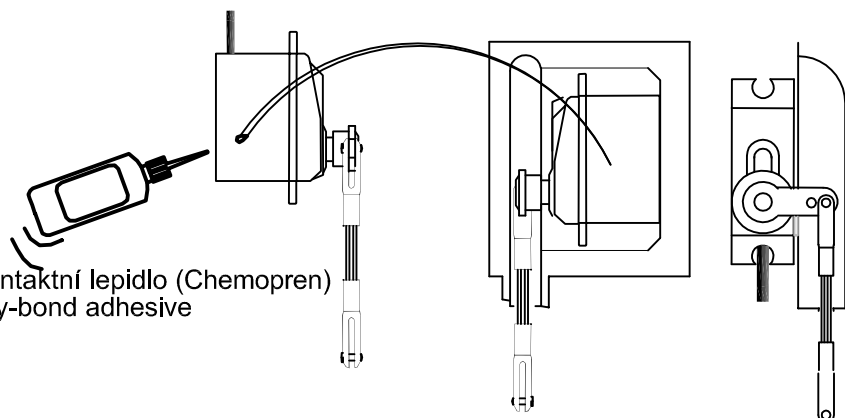
pro servo křidélek
for aileron servo



pro servo klapek
for flaps servo



kontaktní lepidlo (Chemopren)
dry-bond adhesive

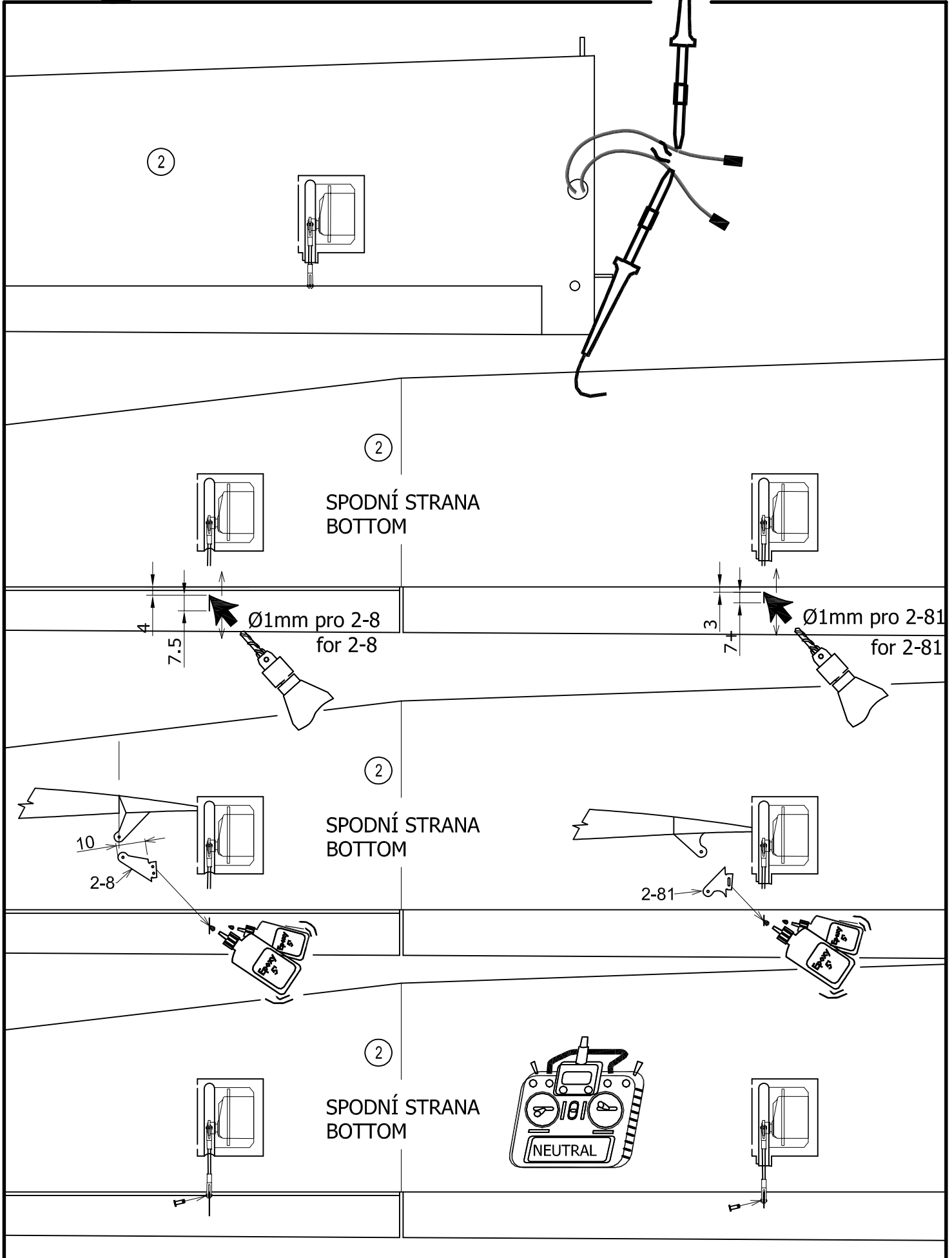


SPODNÍ STRANA
BOTTOM

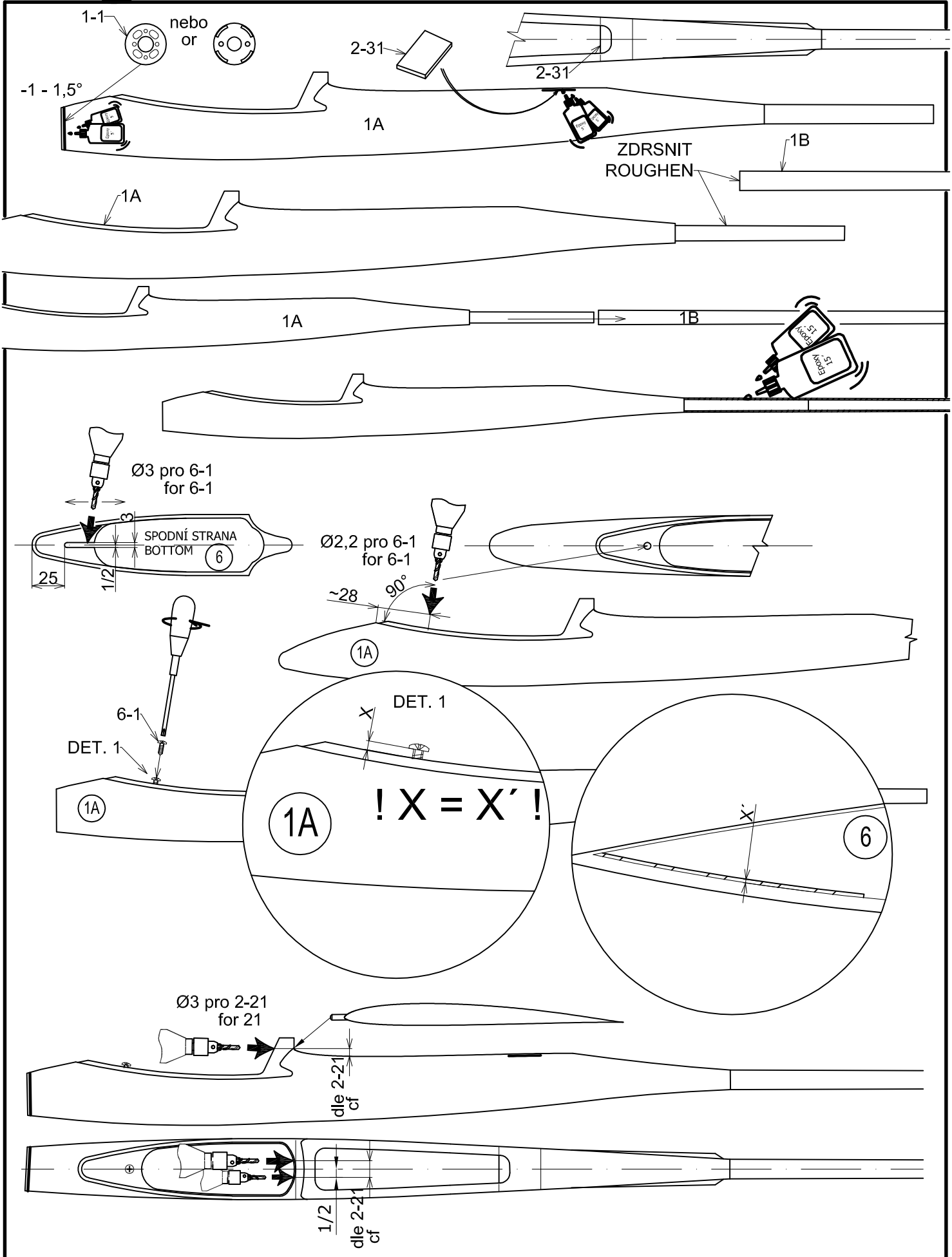
kontaktní lepidlo (Chemopren)
dry-bond adhesive

kontaktní lepidlo (Chemopren)
dry-bond adhesive

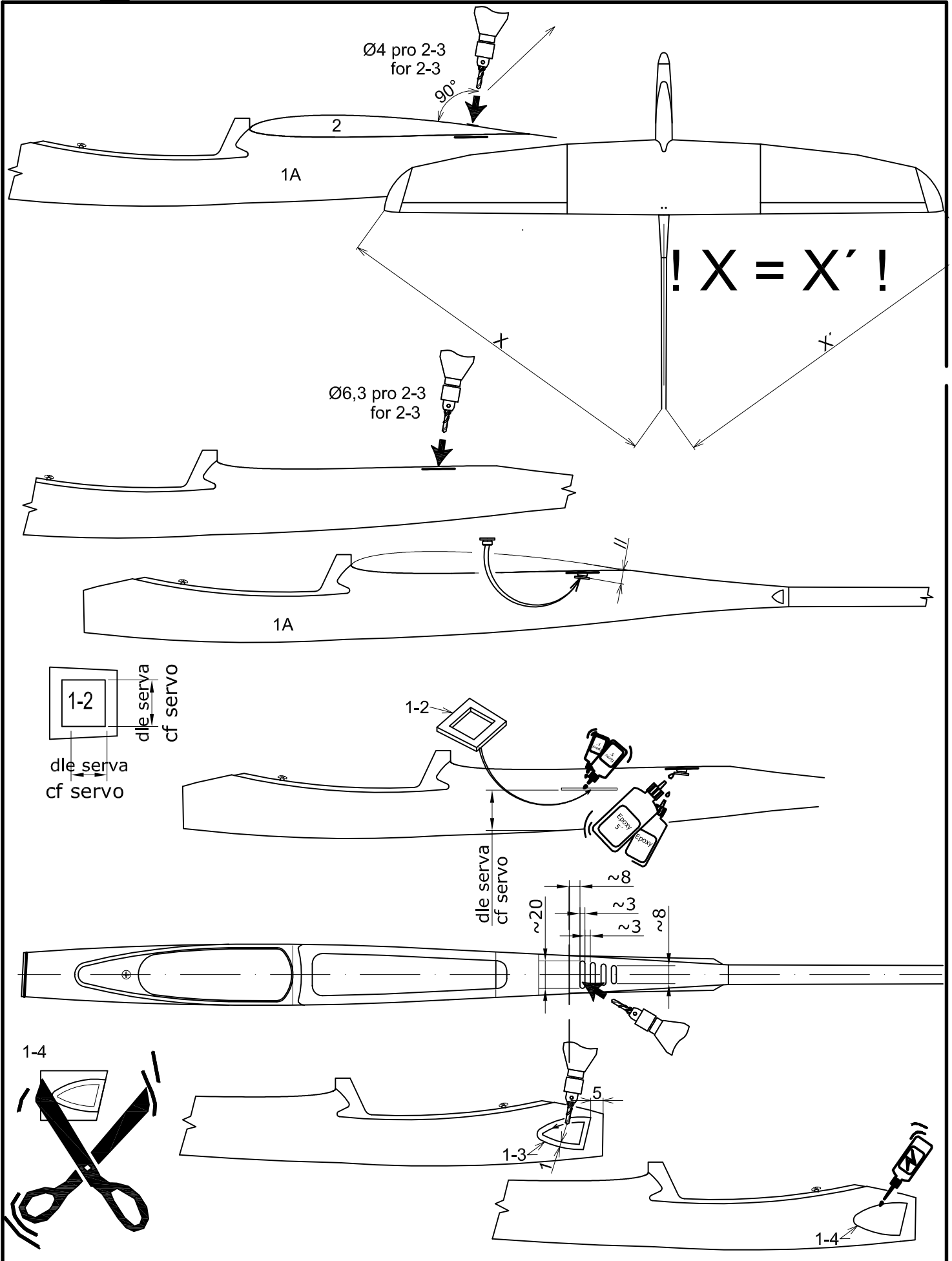
Astra V



Astra V

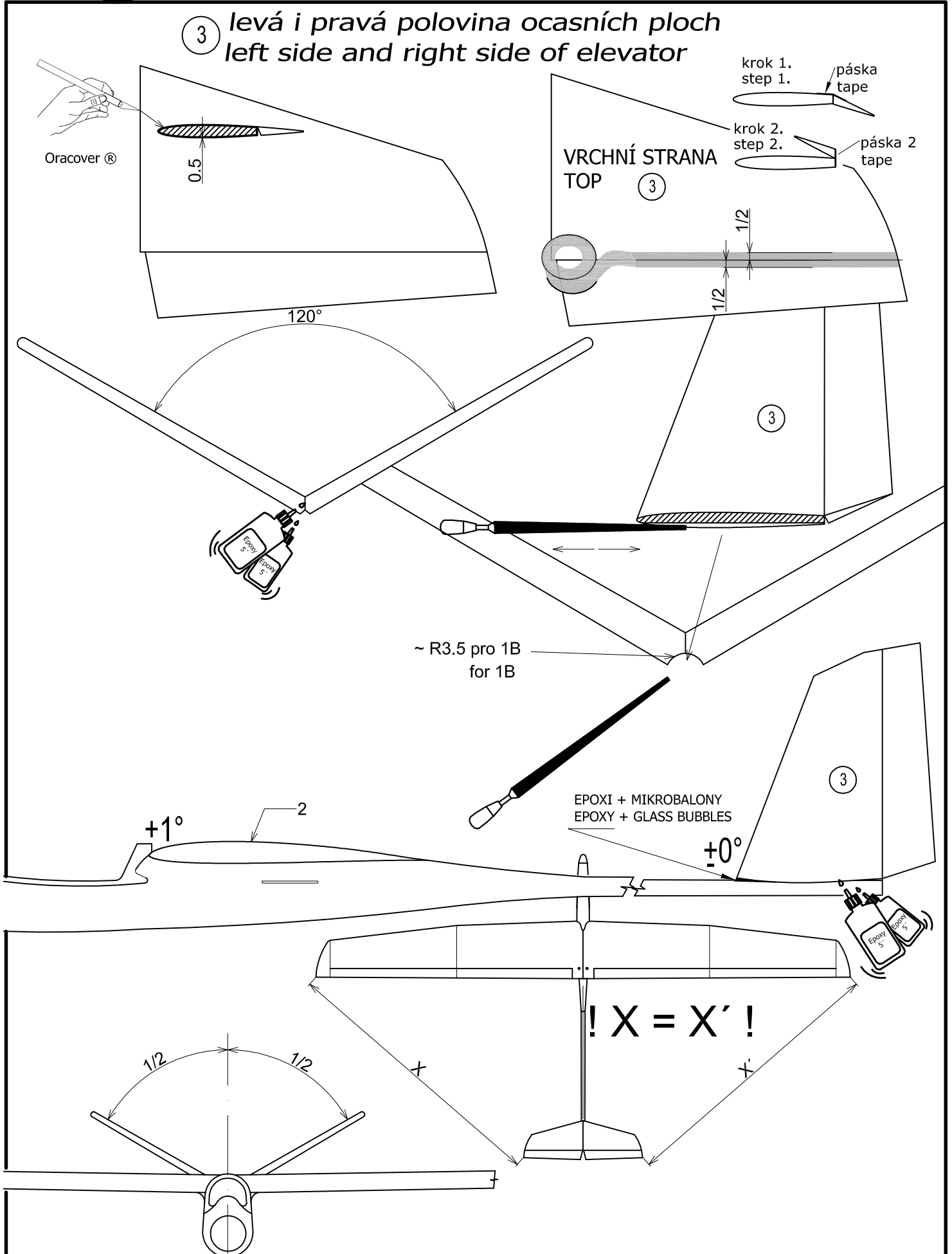


Astra V

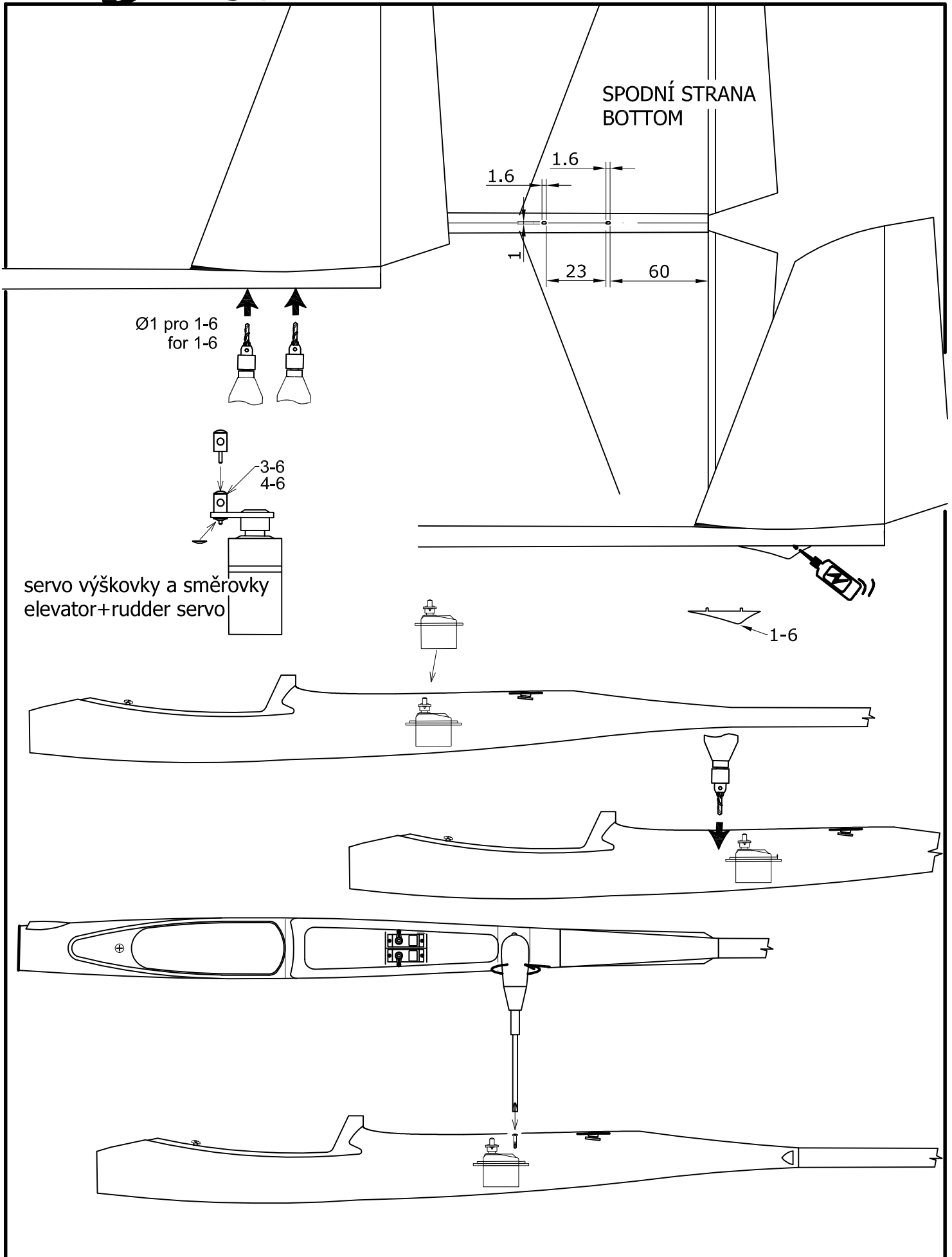


Astra V

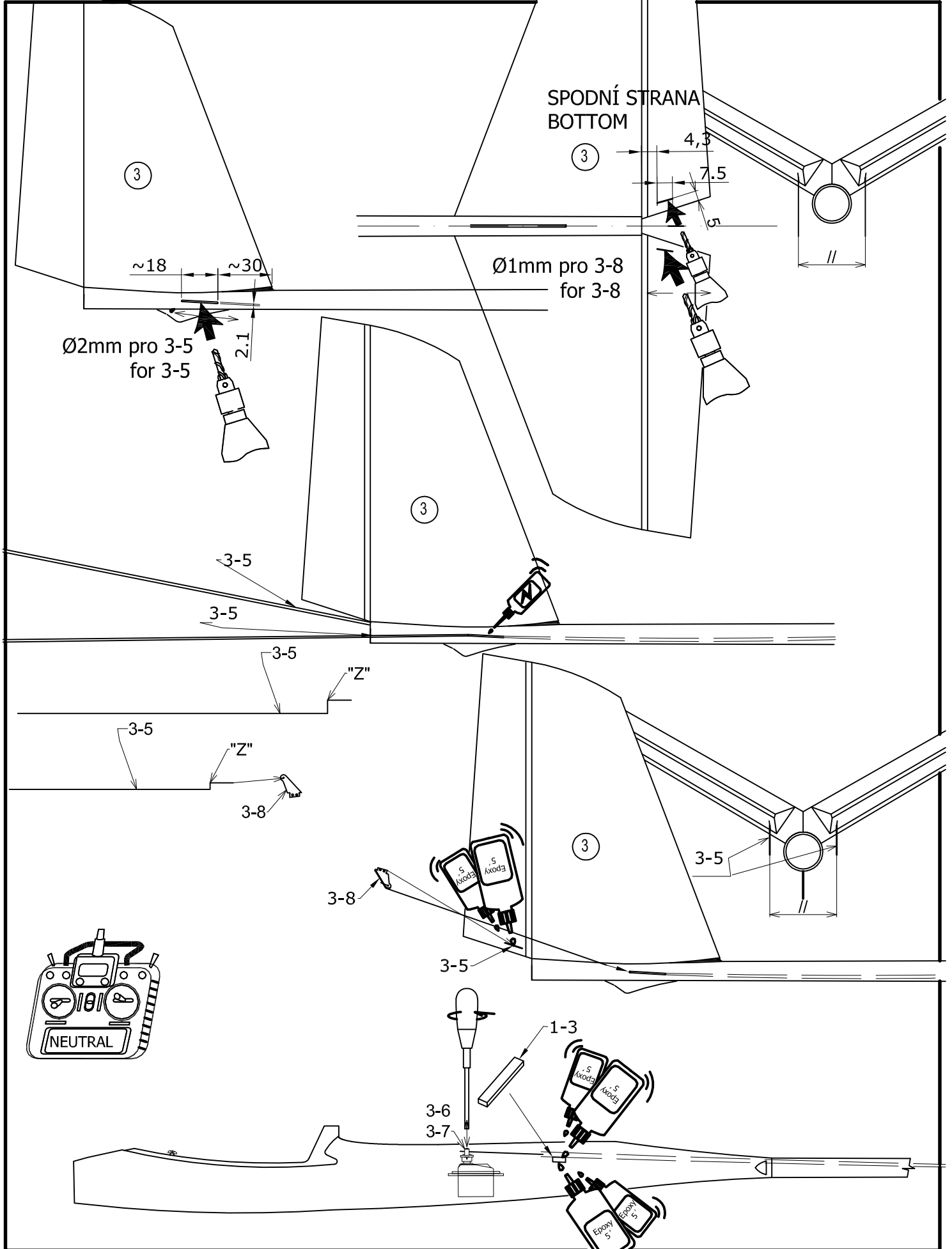
3 levá i pravá polovina ocasních ploch left side and right side of elevator



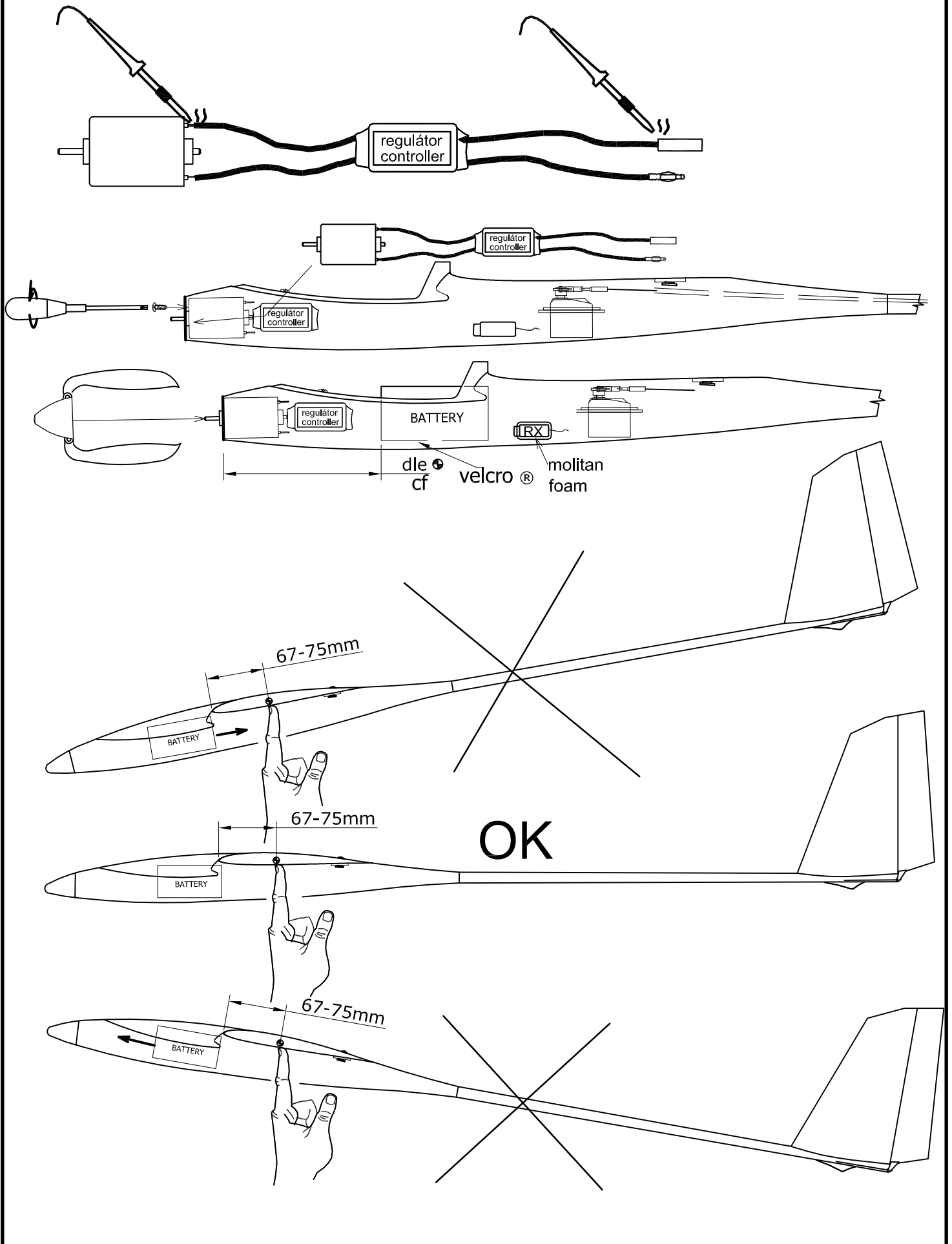
Astra V



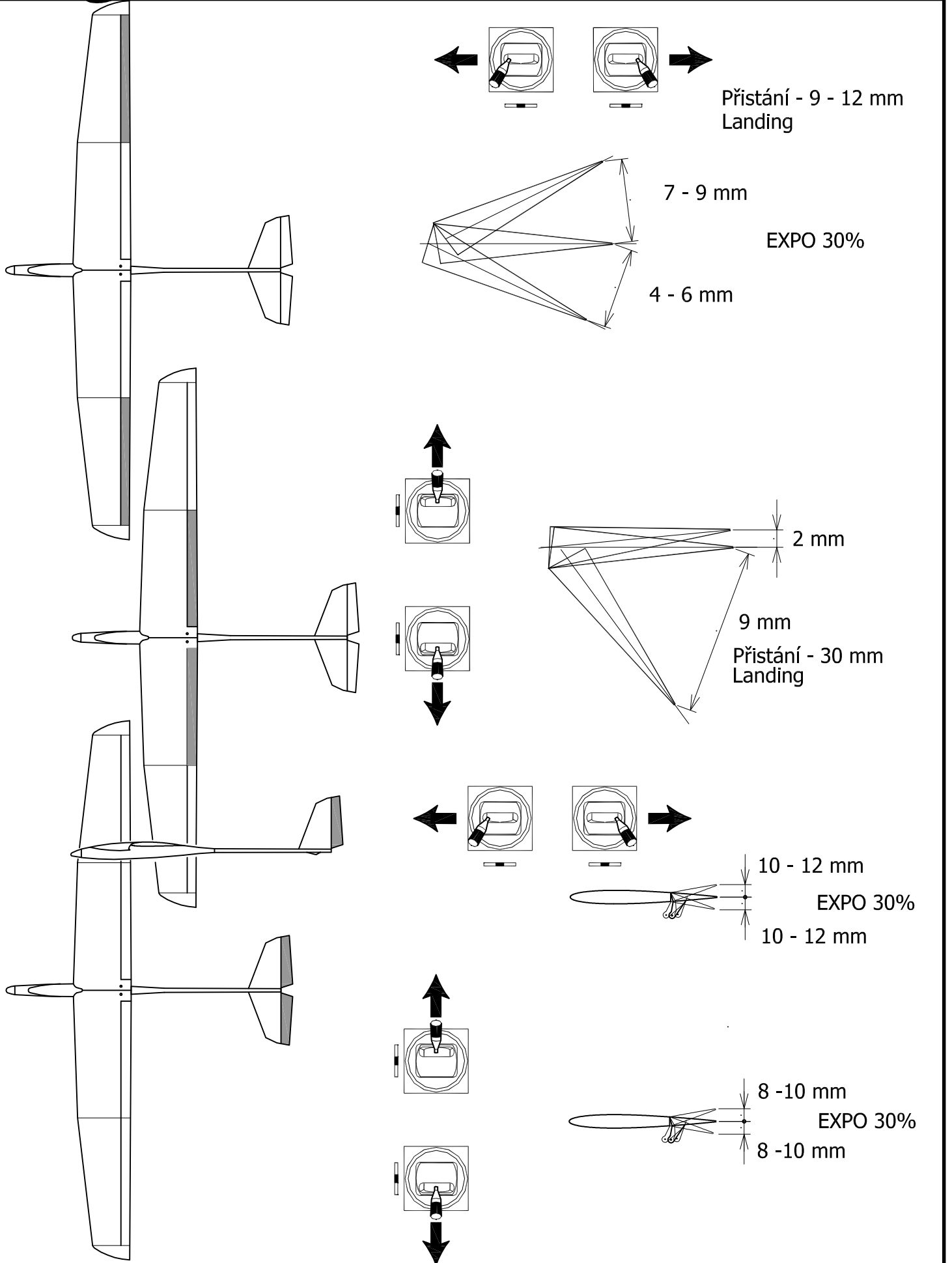
Astra V



Astra V



Astra V



Astra

outrunner motor

